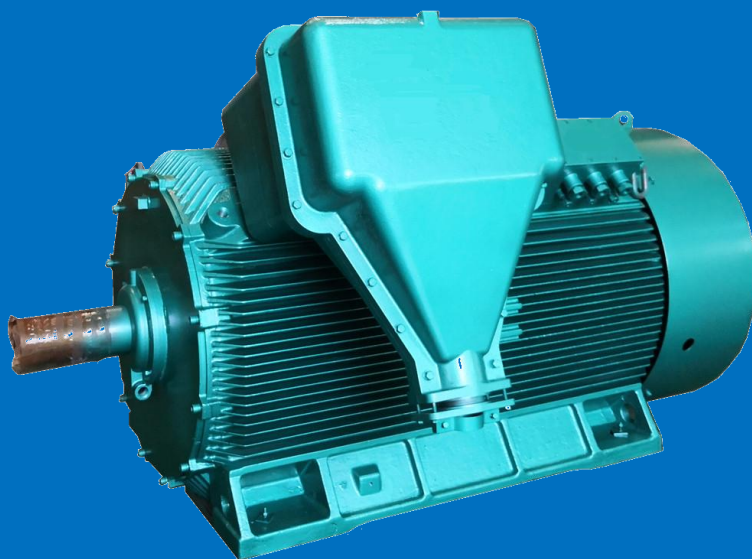


Y2 系列 6KV 三相异步电动机 (H355~560)



陕西利特西玛电机科技有限公司

Shaanxi Lite Simo Electric Motor Technology Co., Ltd

Y2系列6kV高压三相异步电动机 (中心高355~560)

概述 Brief description

Y2系列6kV高压三相异步电动机(中心高355~560)为紧凑型封闭式笼型转子三相异步电动机。该电动机是按照JB/T10444-2004技术条件生产的,其防护等级为IP54,冷却方式为IC411。

本系列电动机具有高效、节能、噪音低、振动小、重量轻、性能可靠、安装维修方便等优点。

本系列电动机可作驱动各种不同机械之用。如通风机、压缩机、水泵、破碎机、切削机床及其它设备,并可供煤矿、机械工业、发电厂及各种工矿企业作原动机之用。

本系列电动机结构及安装型式为IMB3,额定是以连续工作制(S1)为基础的定额,电动机的额定频率为50Hz,额定电压为6kV,其它电压等级或特殊要求,在订货时可与用户共同商订。

Y2 series (6kV) motor is of tight closed squirrel cage three phase asynchronous motor (center height from 355mm to 560mm), which complies with JB/T10444-2004. The protection degree of the motor is of IP54 and the cooling method is of IC411.

The motor has such advantage as high efficiency, energy saving, low noise, low vibration, light weight and reliable performance. They are easy for installation and maintenance.

This motor is used to drive various mechanical equipments such as blowers' compressors, pumps, crushers, stock removing machines. It can serve as the prime movers in coalmines, mechanical industries, power plants and various industrial enterprises.

The structure and the mounting type is of IMB3 with continuous duty(S1).The rated frequency is 50Hz and the rated voltage is 6kV, other voltage requirements or special requirements should be negotiate with the manufacturer before order is placed.

型号含义 The meaning of type



技术数据见表1

Technical Data see Appendix1

外形安装尺寸见表2

Mounting and Contour Dimensions see Appendix 2,

定货须知 (用户订货时须注明如下要求)

When ordering , the following requirement should be specified

- | | |
|-------------------------------|---------------------------------------|
| ◎ 电机型号: Y2-3551-4 | Frame size such as: (Y2-3551-4) |
| ◎ 额定功率: 185kW | Rated power: (185kW) |
| ◎ 额定电压: 6000V | Rated Voltage: (6000V) |
| ◎ 额定频率: 50Hz | Rated Frequency: (50Hz) |
| ◎ 同步转速: 1500r/min | Synchronous Speed: (1500r/min) |
| ◎ 频率偏差: $\pm 1\%$ | Variation of the frequency: $\pm 1\%$ |
| ◎ 安装方式: IMB3 | Mounting Type: (IMB3) |
| ◎ 防护等级: IP44 或 IP54 | Protection Degree: (IP44/IP54) |
| ◎ 冷却方式: IC411 | Cooling Method: (IC411) |
| ◎ 绝缘等级: F 级 | Insulation Class: (Class F) |
| ◎ 电压偏差: $\pm 5\%$ | Variation of the voltage: $\pm 5\%$ |
| ◎ 环境条件: 海拔 1000m , 环境温度 40 °C | |

Ambient Conditions: altitude should not be over 1000 meters above sea level, the vary of ambient temperature should not exceed 40°C

注: 电机采用联轴器传动: 若需皮带轮传动应与制造商协商。

Note: The motor shaft coupling transmission.

For belt drive should be consultation with the manufacturer.



表1

型号 Type	额定功率 k W Rated Power	额定电流 A Rated Current	转速 r/min Speed	效率 % Efficiency	功率 因数 COS ϕ Power Factor	最大转矩	堵转转矩	堵转电流	J(负载)	质量 kg Mass	加 油 周 期 h Lubrication Time				
						$\frac{\text{Max torque}}{\text{Rated torque}}$	$\frac{\text{Locked torque}}{\text{Rated torque}}$	$\frac{\text{Locked current}}{\text{Rated current}}$	J (Load)						
Y2-3551-2	185	22.6	2975	93.9	0.84	2.0	0.7	7.0	12	1750	500				
Y2-3552-2	200	24.4		94.0					13	1800					
Y2-3553-2	220	26.7		94.2					14	1980					
Y2-3554-2	250	30.3		94.4					16	2060					
Y2-3555-2	280	33.1		94.6	17				2150						
Y2-4001-2	315	37.2		94.5	19				2650						
Y2-4002-2	355	41.8		94.9	21				2780						
Y2-4003-2	400	47.1		95.1	23				2890						
Y2-4004-2	450	52.9		95.2	26				3070						
Y2-4501-2	500	58.0	2980	95.3	0.87				2.0	0.7		7.0	28	3300	500
Y2-4502-2	560	64.9		95.4									31	3500	
Y2-4503-2	630	73.0		95.5									34	3680	
Y2-4504-2	710	82.0		95.7									37	3850	
Y2-5001-2	800	91.5		95.6									41	4100	
Y2-5002-2	900	102.8		95.7									45	4250	
Y2-5003-2	1000	114.0		95.9									48	4400	
Y2-5004-2	1120	127.6		96.0									52	4600	
Y2-5601-2	1250	140.6		96.1									56	5090	
Y2-5602-2	1400	157.2	96.3	61	5550										
Y2-5603-2	1600	179.3	96.5	66	6150										
Y2-3551-4	185	22.6	1480	93.7	0.84	2.0	0.8	6.5			67		1710	2000	
Y2-3552-4	200	24.4		93.9							72		1800		
Y2-3553-4	220	26.8		94.1							78		1920		
Y2-3554-4	250	30.4		94.3							87		2000		
Y2-3555-4	280	33.9		94.5							97		2110		
Y2-4001-4	315	37.7		94.6							108		2620		
Y2-4002-4	355	42.4		94.8	120						2740				
Y2-4003-4	400	47.7		95.0	133				2860						
Y2-4004-4	450	53.5		95.2	147				2990						
Y2-4501-4	500	58.7		95.3	161				3460						
Y2-4502-4	560	65.7		95.4	178				3570						
Y2-4503-4	630	73.8		95.5	197				3690						
Y2-4504-4	710	83.1		95.6	218				3780						

表1 (续)

型号 Type	额定功率 kW Rated Power	额定电流 A Rated Current	转速 r/min Speed	效率 % Efficiency	功率因数 COS φ Power Factor	最大转矩	堵转转矩	堵转电流	J(负载) kg.m ² J (Load)	质量 kg Mass	加油周期 h Lubrication Time		
						额定转矩	额定转矩	额定电流					
Y2-5001-4	800	93.5	1480	95.7	0.86	2.0	0.8	6.5	241	4360	2000		
Y2-5002-4	900	105.1		95.8					266	4580			
Y2-5003-4	1000	116.7		95.9					290	4700			
Y2-5004-4	1120	130.5	1485	96.0	0.87	0.7	6.5	318	4890				
Y2-5601-4	1250	143.9		96.1				347	5510				
Y2-5602-4	1400	161.0		96.2				380	5680				
Y2-5603-4	1600	183.6		96.4				421	5930				
Y2-3551-6	160	20.6	990	93.4	0.80	2.0	6.0	157	2240	3000			
Y2-3552-6	185	23.8		93.5				180	2100				
Y2-3553-6	200	25.7		93.6				193	2240				
Y2-4001-6	220	27.5		93.8	0.82			0.8	6.0		210	2750	
Y2-4002-6	250	31.2									93.9	236	2840
Y2-4003-6	280	34.9									94.1	262	2960
Y2-4004-6	315	39.2									94.3	291	3160
Y2-4501-6	355	43.5		94.5	0.83			0.8	6.0		325	3510	
Y2-4502-6	400	49.0									94.6	361	3510
Y2-4503-6	450	55.1									94.7	401	3630
Y2-4504-6	500	61.1									94.9	441	3720
Y2-5001-6	560	68.3									95.1	487	4270
Y2-5002-6	630	76.7									95.2	540	4460
Y2-5003-6	710	86.4									95.3	600	4680
Y2-5004-6	800	97.2									95.4	666	4890
Y2-5601-6	900	107.8		95.6	0.84			0.7	6.0		737	5140	
Y2-5602-6	1000	119.7	95.7			806	5460						
Y2-5603-6	1120	133.9	95.8			888	6930						
Y2-5604-6	1250	149.3	95.9			974	6250						
Y2-4001-8	160	21.7	740	93.2	0.76	2.0	0.8	5.5	317	2880			
Y2-4002-8	185	25.1		93.3					362	3050			
Y2-4003-8	200	26.1		93.5	0.77				389	3140			
Y2-4004-8	220	29.3							93.7	424	3240		
Y2-4501-8	250	32.8		93.9	0.78				477	3370			
Y2-4502-8	280	36.7							94.1	529	3480		
Y2-4503-8	315	41.2							94.2	589	3570		

表1 (完)

型号 Type	额定功率 kW Rated Power	额定电流 A Rated Current	转速 r/min Speed	效率 % Efficiency	功率因数 COS ϕ Power Factor	最大转矩	堵转转矩	堵转电流	J(负载) kg·m ² J (Load)	质量 kg Mass	加 油 周 期 h Lubrication Time	
						额定转矩	额定转矩	额定电流				
Y2-4504-8	355	46.4	740	94.4	0.78	2.0	0.8	5.5	657	3690	3000	
Y2-5001-8	400	51.5		94.5	0.79				732	4380		
Y2-5002-8	450	57.9		94.6					814	4570		
Y2-5003-8	500	63.4		94.8					895	4790		
Y2-5004-8	560	71.0		94.9	0.80				991	4880		
Y2-5601-8	630	78.7		95.1					0.81	1100		5410
Y2-5602-8	710	88.5		95.3						1224		5690
Y2-5603-8	800	99.6		95.4						1360		6010
Y2-5604-8	900	111.8		95.6	1508					6330		

Y2 系列 6kV 高压三相异步电动机 (中心高 355 ~ 560) 外形图

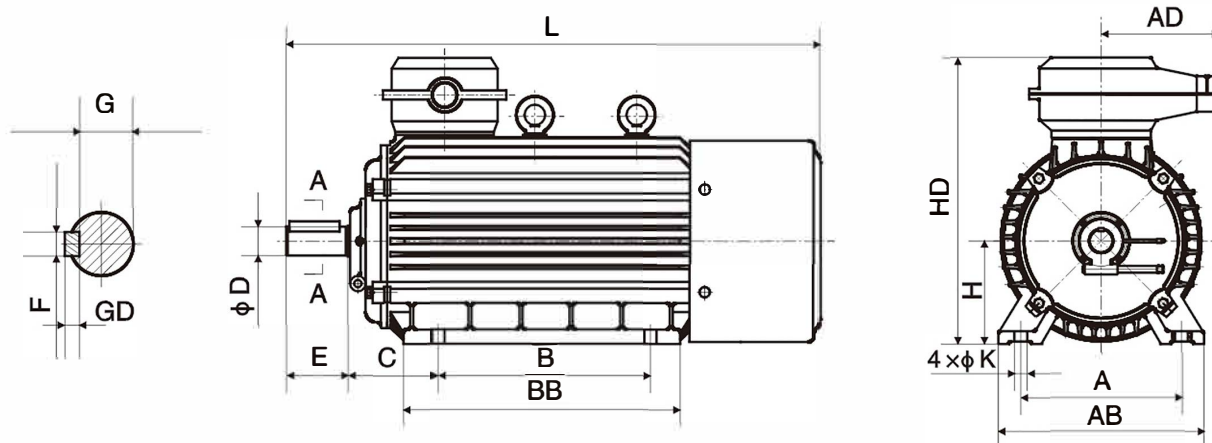


图 1 H355 ~ 400 外形图

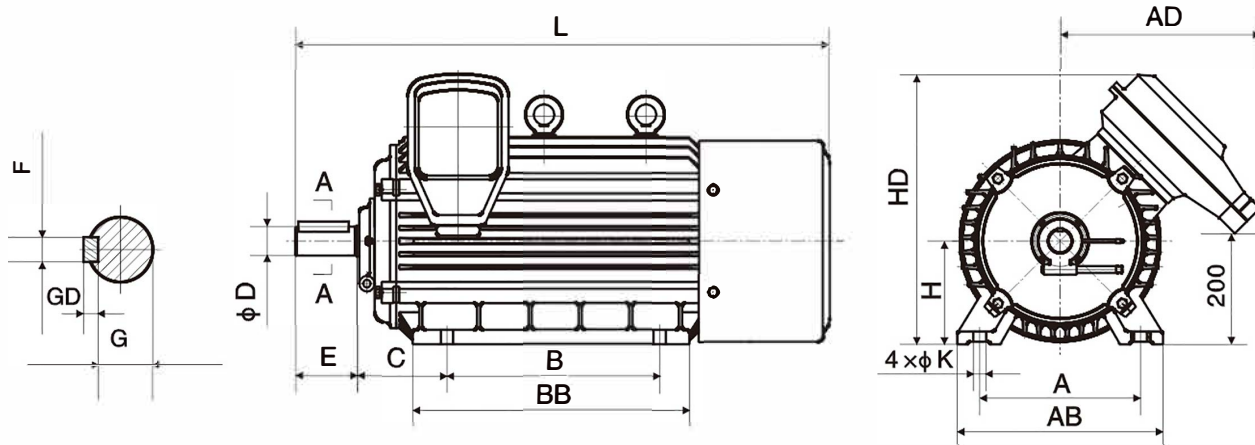


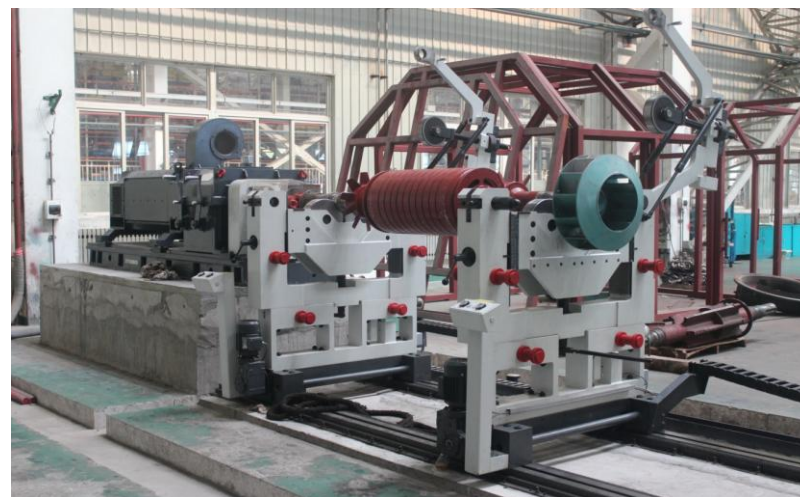
图 2 H450 ~ 560 外形图

Y2系列6kV高压三相异步电动机（中心高355~560）外形安装尺寸

表2

机座号 Framesize	极数 Pole	安装尺寸 Mounting Dimensions(mm)										外形尺寸 Contour Dimensions(mm)				
		A	B	C	D	E	F	G	H	K	GD	AB	BB	AD	HD	L
H355	2	630±1.4	900±1.4	254±4.0	75 ^{+0.035} / _{+0.013}	140±0.50	20 ⁰ / _{-0.052}	67.5 ⁰ / _{-0.2}	355 ⁰ / _{-1.0}	28 ^{+0.052} / ₀	12	790	1110	860	1250	2000
	4~6				100 ^{+0.035} / _{+0.013}	210±0.57	28 ⁰ / _{-0.052}	90 ⁰ / _{-0.2}			16					
H400	2	710±1.75	1000±1.75	280±4.0	85 ^{+0.035} / _{+0.013}	170±0.50	22 ⁰ / _{-0.052}	76 ⁰ / _{-0.2}	400 ⁰ / _{-1.0}	35 ^{+0.062} / ₀	14	870	1200	860	1340	2200
	4~8				110 ^{+0.035} / _{+0.013}	210±0.57	28 ⁰ / _{-0.052}	100 ⁰ / _{-0.2}			16					
H450	2	800±1.75	1120±1.75	280±4.0	95 ^{+0.035} / _{+0.013}	170±0.50	25 ⁰ / _{-0.052}	86 ⁰ / _{-0.2}	450 ⁰ / _{-1.0}	35 ^{+0.062} / ₀	14	950	1340	930	1300	2310
	4				120 ^{+0.035} / _{+0.013}	210±0.57	32 ⁰ / _{-0.062}	109 ⁰ / _{-0.2}			18					
	6~8				130 ^{+0.040} / _{+0.015}	250±0.57		119 ⁰ / _{-0.2}								
H500	2	900±2.1	1250±2.1	C C	110 ^{+0.035} / _{+0.013}	210±0.57	28 ⁰ / _{-0.052}	100 ⁰ / _{-0.2}	500 ⁰ / _{-1.0}	42 ^{+0.062} / ₀	16	1080	1490	970	1280	2610
	4			315±4.0	250±0.57	130 ^{+0.040} / _{+0.015}	32 ⁰ / _{-0.062}	119 ⁰ / _{-0.2}			18					
	6~8					140 ^{+0.040} / _{+0.015}		128 ⁰ / _{-0.3}			20					
H560	2	1000±2.1	1400±2.1	C C	130 ^{+0.040} / _{+0.015}	250±0.57	32 ⁰ / _{-0.062}	119 ⁰ / _{-0.2}	560 ⁰ / _{-1.0}	42 ^{+0.062} / ₀	18	1180	1680	1030	1380	2900
	4			355±4.0	150 ^{+0.040} / _{+0.015}		36 ⁰ / _{-0.062}	138 ⁰ / _{-0.3}			20					
	6~8				160 ^{+0.040} / _{+0.015}	300±0.65	40 ⁰ / _{-0.062}	147 ⁰ / _{-0.3}			22					

注：C C为滑动轴承C尺寸，定货时双方商定。



西玛电机厂内景及部分设备



陕西利特西玛电机科技有限公司

电话：029-82513923

传真：029-82553722

邮箱：sales@chinasimo.com

中文网址：www.chinasimo.com

英文网址：www.motorsimo.com

地址：陕西省西安市未央区明光路 159 号