

YKK 系列 6KV 三相异步电动机 (H710~1000)



陕西利特西玛电机科技有限公司

Shaanxi Lite Simo Electric Motor Technology Co., Ltd



YKK系列6KV三相异步电动机 (中心高710~1000)

概述 Brief description

YKK系列6kV三相异步电动机(中心高710~1000)为笼型转子三相异步电动机。该三相异步电动机是按照GB/T 13957-2008技术条件生产的。该电动机的防护等级为IP44或IP54, 冷却方法为IC611。

本电动机具有高效、节能、噪音低、振动小、重量轻、性能可靠、安装维修方便等优点。

本系列电动机可作驱动各种不同机械之用。如通风机、压缩机、水泵、破碎机、切削机床及其它设备, 并可供煤矿、机械工业、发电厂及各种工矿企业作原动机之用。

本系列电动机结构及安装型式为IMB3, 额定是以连续工作制(S1)为基础的连续定额, 电动机的额定频率为50Hz, 额定电压为6kV, 其它电压等级或特殊要求, 在订货时可与用户共同商订。

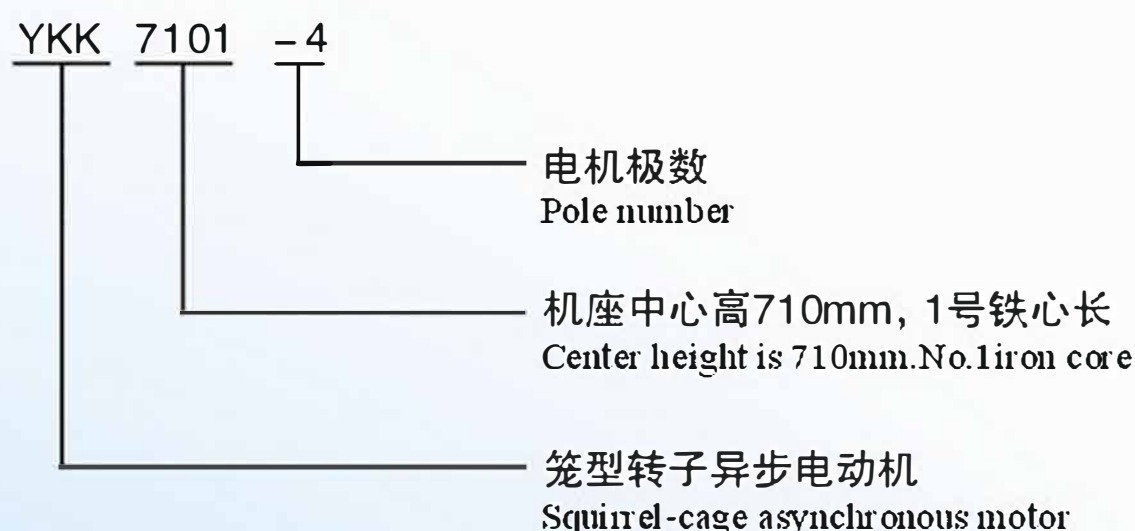
YKK series (6kV) motor is of closed squirrelcage three phase asynchronous motor(center height from 710mm to 1000mm) ,which complies with JB/T13957-2008. The protection degree of the motor is of IP44/IP54 and the cooling method is of IC611.

The motor has such advantage as high efficiency, energy saving, low noise, low vibration, light weight and reliable performance. They are easy for installation and maintenance.

This motor is used to drive various mechanical equipments such as blowers' compressors, pumps, crushers, stock removing machines. It can serve as the prime movers in coalmines, mechanical industries, power plants and various industrial enterprises.

The structure and the mounting type is of IMB3 with continuous duty(S1).The rated frequency is 50Hz and the rated voltage is 6000V,other voltage requirements or special requirements should be negotiate with the manufacturer before order is placed.

型号含义 The meaning of type



技术数据见表1

Technical Data see Appendix 1

外形安装尺寸见表2

Mounting and Contour Dimensions see Appendix 2

定货须知 (用户订货时须注明如下要求)

When ordering, the following requirement should be specified

- | | |
|----------------------------------|-----------------------------------|
| ◎电机型号: (YKK7101-4) | Frame size such as: (YKK7101-4) |
| ◎额定功率: (3150kW) | Rated power: (3150kW) |
| ◎额定电压: (6000V) | Rated Voltage: (6000V) |
| ◎额定频率: (50Hz) | Rated Frequency: (50Hz) |
| ◎同步转速: (1500r/min) | Synchronous Speed: (1500r/min) |
| ◎安装方式: (IMB3) | Mounting Type: (IMB3) |
| ◎防护等级: (IP44或IP54) | Protection Degree: (IP44/IP54) |
| ◎冷却方式: (IC611) | Cooling Method: (IC611) |
| ◎绝缘等级: (F级) | Insulation Class: (Class F) |
| ◎环境条件: 海拔 (1000m) 环境温度 (40℃) | |

Ambient Conditions: altitude should not be over 1000 meters above sea level, the vary of ambient temperature should not exceed 40℃

注: 2、4极电机禁止用皮带轮传动; 其他极数若需皮带轮传动应与制造商协商。

Note: Belt driving is not allowed on the motor of 2 poles and 4 poles.

Belt driving applied on the motor of other poles, should be negotiated with manufacturer.



表1 (Table 1)

型号 Type	额定功率 kW Rated Power	额定电流 A Rated Current	转速 r/min Speed	效率 % Efficiency	功率 因数 cos φ Power Factor	最大转矩	堵转转矩	堵转电流	J(电机) kg·m ² J(Motor)	J(负载) kg·m ² J(Load)	质量 kg Mass
						额定转矩 Max torque Rated torque	额定转矩 Lode-rated torque Rated torque	额定电流 Lode-rated current Rated current			
YKK7101-4	2500	285	1490	95.7	0.87	1.8	0.5	6.5	166	595	15560
YKK7102-4	2800	323		95.8					184	643	16270
YKK7103-4	3150	363		95.9					198	695	16750
YKK7104-4	3550	409		96.0					216	749	17250
YKK8001-4	4000	456	1495	96.0	0.88	1.8	0.5	6.5	260	804	19100
YKK8002-4	4500	512		96.1					280	857	20700
YKK8003-4	5000	568		96.2					305	904	21000
YKK9001-4	5600	636	1495	96.3	0.88	1.8	0.5	6.5	430	951	22800
YKK9002-4	6300	715		96.4					470	995	23600
YKK9003-4	7100	805		96.5					490	1030	24500
YKK7101-6	1800	211	990	95.5	0.86	1.8	0.6	6.5	219	1348	15050
YKK7102-6	2000	234		95.6					238	1467	15820
YKK7103-6	2240	262		95.7					254	1605	16600
YKK7104-6	2500	292		95.8					274	1747	16970
YKK8001-6	2800	327	995	95.8	0.86	1.8	0.6	6.5	335	1905	18900
YKK8002-6	3150	367		95.9					400	2080	20500
YKK8003-6	3550	414		95.9					420	2268	20720
YKK8004-6	4000	466		96.0					440	2467	20950
YKK9001-6	4500	518	995	96.0	0.87	1.8	0.6	6.5	540	2673	22680
YKK9002-6	5000	575		96.1					620	2863	23550
YKK9003-6	5600	644		96.2					640	3030	24460
YKK10001-6	6300	723	995	96.3	0.87	1.8	0.6	6.5	980	3246	26500
YKK10002-6	7100	815		96.4					1100	3464	27400
YKK10003-6	8000	917		96.5					1240	3673	28200
YKK7101-8	1400	167	745	94.9	0.85	1.8	0.6	6.5	285	2246	14950
YKK7102-8	1600	191		95.0					310	2515	15350
YKK7103-8	1800	214		95.1					344	2777	16280
YKK8001-8	2000	238	745	95.2	0.85	1.8	0.6	6.5	520	3030	18680
YKK8002-8	2240	266		95.3					610	3326	19280
YKK8003-8	2500	297		95.3					660	3640	20220
YKK8004-8	2800	322		95.4					730	3980	21820
YKK9001-8	3150	369	745	95.5	0.86	1.8	0.6	6.5	880	4367	22260
YKK9002-8	3550	415		95.6					950	4790	23570
YKK9003-8	4000	468		95.7					1050	5242	24520

表1 续 (Table 1 continued)

型号 Type	额定功率 kW Rated Power	额定电流 A Rated Current	转速 r/min Speed	效率 % Efficiency	功率 因数 cos φ Power Factor	最大转矩	堵转转矩	堵转电流	J(电机) kg·m ² J(Motor)	J(负载) kg·m ² J(Load)	质量 kg Mass
						额定转矩 Max torque Rated torque	额定转矩 Locked-rated torque Rated torque	额定电流 Locked-rated current Rated current			
YKK10001-8	4500	525	745	95.8	0.86	1.8	0.6	6.5	1480	5718	26300
YKK10002-8	5000	583		95.9					1690	6167	27550
YKK10003-8	5600	653		96.0					1870	6675	28310
YKK10004-8	6300	734		96.1					2010	7226	29120
YKK7101-10	1250	153	595	94.5	0.83	1.8	0.6	6.0	300	3570	14920
YKK7102-10	1400	172		94.6					334	3940	15660
YKK7103-10	1600	196		94.7					373	4421	16370
YKK8001-10	1800	220	595	94.8	0.83	1.8	0.6	6.0	620	4889	18920
YKK8002-10	2000	244		94.9					730	5346	20100
YKK8003-10	2240	273		95.0					750	5881	20250
YKK9001-10	2500	301	595	95.1	0.84	1.8	0.6	6.0	980	6443	21840
YKK9002-10	2800	337		95.2					1100	7073	22670
YKK9003-10	3150	379		95.3					1220	7784	23340
YKK9004-10	3550	427		95.3					1230	8566	24100
YKK10001-10	4000	480	595	95.4	0.84	1.8	0.6	6.0	1580	9410	25950
YKK10002-10	4500	540		95.4					1730	10307	27100
YKK10003-10	5000	600		95.5					1920	11164	28200
YKK10004-10	5600	672		95.5					2260	12143	29200
YKK7101-12	900	117	495	94.0	0.79	1.8	0.6	6.0	300	4209	14890
YKK7102-12	1000	129		94.1					320	4624	15550
YKK7103-12	1120	145		94.2					349	5114	16020
YKK8001-12	1250	159	495	94.3	0.80	1.8	0.6	6.0	580	5635	17900
YKK8002-12	1400	178		94.4					660	6225	18150
YKK8003-12	1600	204		94.5					740	6994	20000
YKK8004-12	1800	229		94.6					820	7746	20250
YKK9001-12	2000	251	495	94.7	0.81	1.8	0.6	6.0	1050	8481	22550
YKK9002-12	2240	281		94.8					1120	9343	23270
YKK9003-12	2500	313		94.9					1200	10254	24050
YKK10001-12	2800	350	495	95.0	0.81	1.8	0.6	6.0	1680	11277	25900
YKK10002-12	3150	393		95.1					1790	12435	27150
YKK10003-12	3550	443		95.1					1950	13716	28270
YKK10004-12	4000	499		95.2					2250	15106	29300
YKK7101-16	500	71	370	92.6	0.73	1.8	0.6	6.0	275	5037	14510
YKK7102-16	560	80		92.8					290	5588	14750



表1 续 (Table 1 continued)

型号 Type	额定功率 kW Rated Power	额定电流 A Rated Current	转速 r/min Speed	效率 % Efficiency	功率 因数 cos φ Power Factor	最大转矩	堵转转矩	堵转电流	J(电机)	J(负载)	质量 kg Mass
						额定转矩 Max torque Rated torque	额定转矩 Locked-rated torque Rated torque	额定电流 Locked-rated current Rated current	kg·m ² J(Motor)	kg·m ² J(Load)	
YKK7103-16	630	89	370	92.9	0.73	1.8	0.6	6.0	305	6223	15010
YKK7104-16	710	101		93.0					329	6939	15860
YKK8001-16	800	112	370	93.1	0.74	1.8	0.6	6.0	600	7733	17600
YKK8002-16	900	126		93.2					700	8604	17900
YKK8003-16	1000	139		93.3					780	9461	19800
YKK8004-16	1120	156		93.4					900	10476	20150
YKK9001-16	1250	171	370	93.5	0.75	1.8	0.6	6.0	1100	11558	22600
YKK9002-16	1400	192		93.6					1180	12787	23200
YKK9003-16	1600	219		93.7					1250	14394	23980
YKK10001-16	1800	246	370	93.8	0.75	1.8	0.6	6.0	1650	15969	26500
YKK10002-16	2000	273		93.9					1850	17515	27650
YKK10003-16	2240	306		94.0					2050	19333	28700



YKK系列6kV (中心高H710~1000) 三相异步电动机安装尺寸图

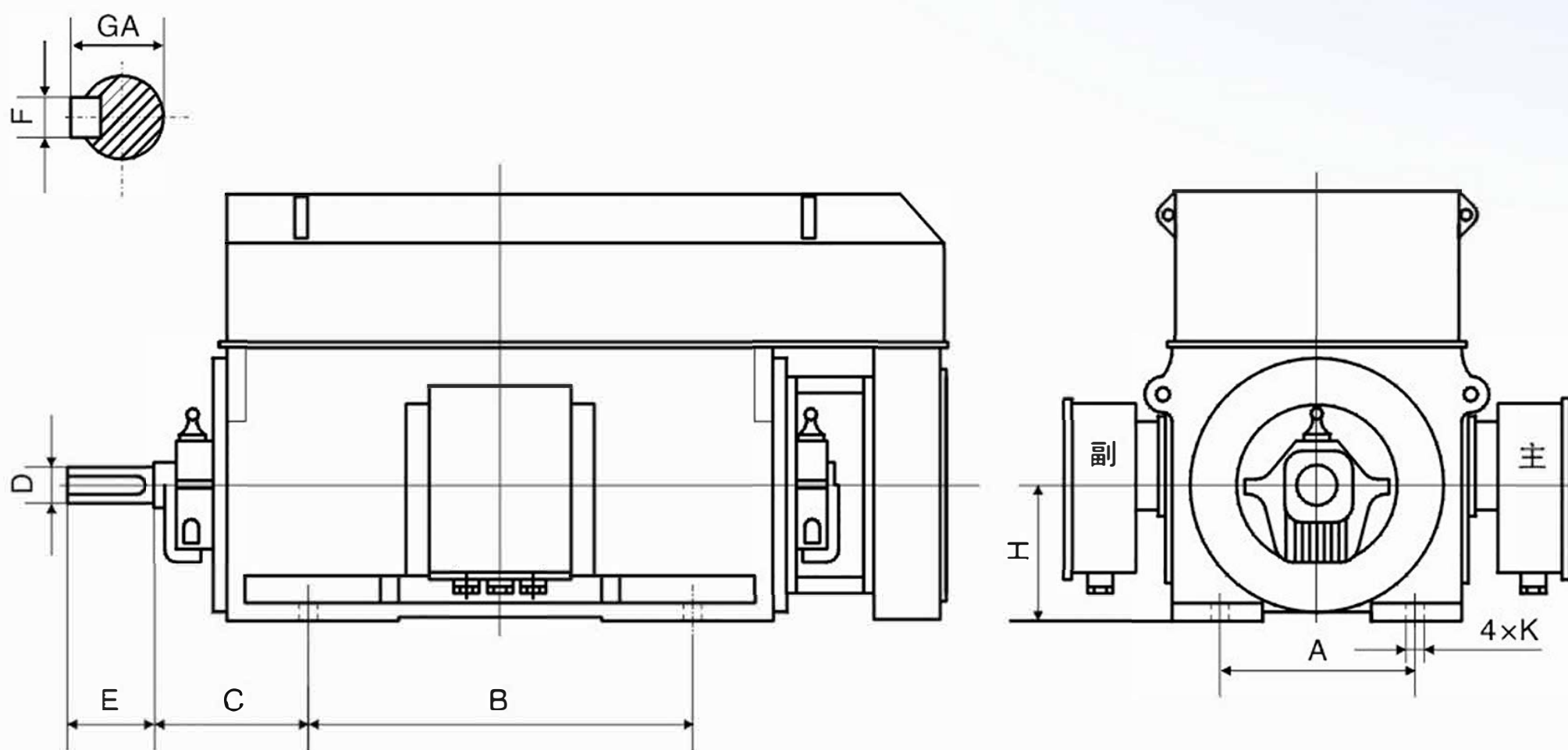


表2 (Table 2)

机座号 Frame size	电机安装尺寸及公差 Mounting Dimension And Tolerance															
	A		B		C		D		E		F		GA	H		K
	基本尺寸 Basic size	极限偏差 Deviation	基本尺寸 Basic size	极限偏差 Deviation	基本尺寸 Basic size	极限偏差 Deviation	基本尺寸 Basic size	极限偏差 Deviation	基本尺寸 Basic size	极限偏差 Deviation	基本尺寸 Basic size	极限偏差 Deviation	基本尺寸 Basic size	基本尺寸 Basic size	极限偏差 Deviation	基本尺寸 Basic size
710	1400	±2.8	1800	±2.8	530	±4.2	Φ200	+0.046	350	±0.70	45	0 -0.062	210	710	0 -1.5	Φ56
800	1600		2000				Φ220				+0.017		50			
900	1800	2240	Φ250	410			56	262	900							
1000	2000	±3.5	2500	±3.5	600	Φ280	+0.052 +0.020	470	±0.77	63	0 -0.074	292	1000		Φ66	

注: 1. 2000kW以上电机为两个出线盒。
2. 样本数据仅供参考, 如有更改恕不另行通知。

Notice: 1、there are two terminal boxes for the motors of 2000kw and above.
2、this catalogue data only for reference, if there was any modification, forgive for not giving any notice separately.



西玛电机厂内景及部分设备



陕西利特西玛电机科技有限公司

电话：029-82513923

传真：029-82553722

邮箱：sales@chinasimo.com

中文网址：www.chinasimo.com

英文网址：www.motorsimo.com

地址：陕西省西安市未央区明光路 159 号