

YKK 系列 10KV 三相异步电动机 (H710~1000)



陕西利特西玛电机科技有限公司

Shaanxi Lite Simo Electric Motor Technology Co., Ltd



YKK系列10KV三相异步电动机 (中心高710~1000)

概述 Brief description

YKK系列10kV三相异步电动机(中心高710~1000)为笼型转子三相异步电动机。该三相异步电动机是按照GB/T 13957-2008技术条件派生生产的。该电动机的防护等级为IP44或IP54,冷却方法为IC611。

本电动机具有高效、节能、噪音低、振动小、重量轻、性能可靠、安装维修方便等优点。

本系列电动机可作驱动各种不同机械之用。如通风机、压缩机、水泵、破碎机、切削机床及其它设备,并可供煤矿、机械工业、发电厂及各种工矿企业作原动机之用。

本系列电动机结构及安装型式为IMB3,定额是以连续工作制(S1)为基础的连续定额,电动机的额定频率为50Hz,额定电压为10kV,其它电压等级或特殊要求,在订货时可与用户共同商订。

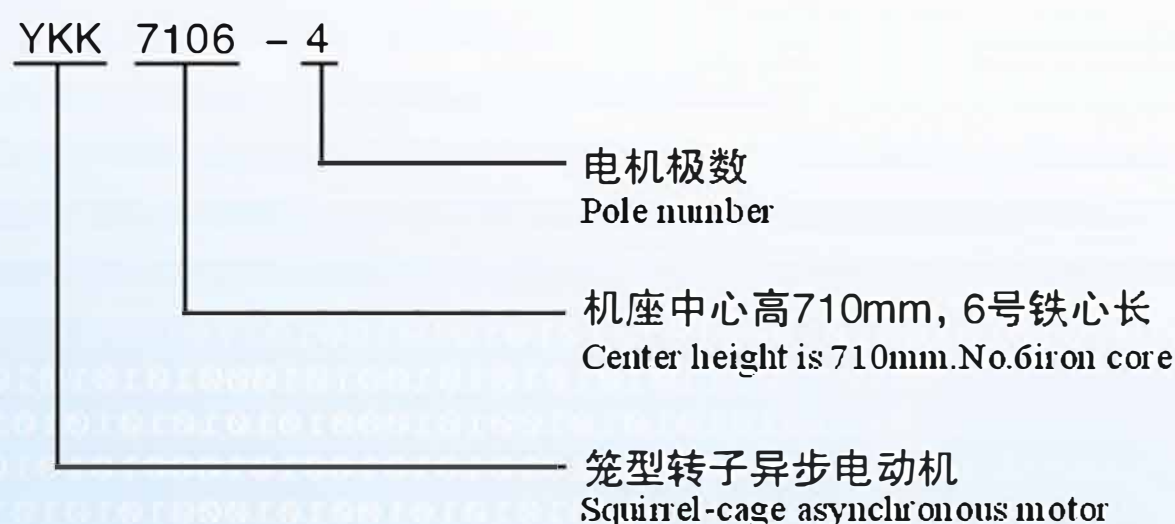
YKK series (10kV) motor is of closed squirrelcage three phase asynchronous motor(center height from 710mm to 1000mm) ,which complies with JB/T13957-2008. The protection degree of the motor is of IP44/IP54 and the cooling method is of Ic611.

The motor has such advantage as high efficiency, energy saving, low noise, low vibration, light weight and reliable performance. They are easy for installation and maintenance.

This motor is used to drive various mechanical equipments such as blowers' compressors, pumps, crushers, stock removing machines. It can serve as the prime movers in coalmines, mechanical industries, power plants and various industrial enterprises.

The structure and the mounting type is of IMB3 with continuous duty(S1).The rated frequency is 50Hz and the rated voltage is 10000V,other voltage requirements or special requirements should be negotiate with the manufacturer before order is placed.

型号含义 The meaning of type



技术数据见表1

Technical Data see Appendix 1

外形安装尺寸见表2

Mounting and Contour Dimensions see Appendix 2

定货须知 (用户订货时须注明如下要求)

When ordering, the following requirement should be specified

- | | |
|----------------------------------|-----------------------------------|
| ◎电机型号: (YKK7106-4) | Frame size such as: (YKK7106-4) |
| ◎额定功率: (2240kW) | Rated power: (2240kW) |
| ◎额定电压: (10000V) | Rated Voltage: (10000V) |
| ◎额定频率: (50Hz) | Rated Frequency: (50Hz) |
| ◎同步转速: (1500r/min) | Synchronous Speed: (1500r/min) |
| ◎安装方式: (IMB3) | Mounting Type: (IMB3) |
| ◎防护等级: (IP44或IP54) | Protection Degree: (IP44或IP54) |
| ◎冷却方式: (IC611) | Cooling Method: (IC611) |
| ◎绝缘等级: (F级) | Insulation Class: (Class F) |
| ◎环境条件: 海拔 (1000m) 环境温度 (40℃) | |

Ambient Conditions: altitude should not be over 1000 meters above sea level, the vary of ambient temperature should not exceed 40℃

注: 4极电机禁止用皮带轮传动; 其他极数若需皮带轮传动应与制造商协商。

Note: Belt driving is not allowed on the motor of 4 poles.

Belt driving applied on the motor of other poles, should be negotiated with manufacturer.



表1 (Table 1)

型号 Type	额定功率 kW Rated Power	额定电流 A Rated Current	转速 r/min Speed	效率 % Efficiency	功率 因数 cos φ Power Factor	最大转矩	堵转转矩	堵转电流	J(电机)	J(负载)	质量 kg Mass
						额定转矩 Max torque Rated torque	额定转矩 Locked-rated torque Rated torque	额定电流 Locked-rated current Rated current	kg·m ² J(Motor)	kg·m ² J(Load)	
YKK7106-4	2240	158.6	1495	94.8	0.86	1.8	0.5	6.5	149	546	14485
YKK7107-4	2500	176.9		94.9					169	590	15240
YKK7108-4	2800	197.9		95.0					177	637	15645
YKK7109-4	3150	222.4		95.1					194	695	16105
YKK8006-4	3550	250.1	1495	95.3	0.86	1.8	0.5	6.5	200	749	18000
YKK8007-4	4000	281.5		95.4					230	804	18700
YKK8008-4	4500	316.3		95.5					250	857	19400
YKK9006-4	5000	347.1	1495	95.6	0.87	1.8	0.5	6.5	310	904	
YKK9007-4	5600	388.3		95.7					380	951	
YKK9008-4	6300	436.4		95.8					450	995	
YKK10006-4	7100	491.3	1495	95.9	0.87	1.8	0.5	6.5	588	1020	
YKK10007-4	8000	553.0		96.0					659	1044	
YKK7106-6	1800	130.9	995	94.5	0.84	1.8	0.6	6.5	240	1331	14445
YKK7107-6	2000	145.5		94.5					260	1448	15285
YKK7108-6	2240	162.2		94.6					280	1609	15695
YKK8006-6	2500	181.3	995	94.8	0.84	1.8	0.6	6.5	310	1717	17900
YKK8007-6	2800	202.8		94.9					340	1910	18500
YKK9006-6	3150	225.2	995	95.0	0.85	1.8	0.6	6.5	460	2080	
YKK9007-6	3550	253.6		95.1					510	2280	
YKK9008-6	4000	285.4		95.2					610	2468	
YKK9009-6	4500	320.7		95.3					660	2673	
YKK10006-6	5000	356.0	995	95.4	0.85	1.8	0.6	6.5	950	2863	
YKK10007-6	5600	398.3		95.5					1050	3030	
YKK10008-6	6300	447.6		95.6					1150	3246	
YKK7106-8	1250	92.6	745	93.9	0.83	1.8	0.6	6.5	280	2038	13875
YKK7107-8	1400	103.6		94.0					310	2246	14945
YKK7108-8	1600	118.3		94.1					340	2515	15320
YKK8007-8	1800	132.4	745	94.6	0.83	1.8	0.6	6.5	360	2777	17300
YKK8008-8	2000	146.9		94.7					370	3030	17800
YKK8009-8	2240	163.4		94.8					395	3326	19000
YKK9006-8	2500	181.1	745	94.9	0.84	1.8	0.6	6.5	850	3640	
YKK9007-8	2800	202.6		95.0					955	3980	
YKK10006-8	3150	227.7	745	95.1	0.84	1.8	0.6	6.5	1250	4367	

表1 续 (Table 1 continued)

型号 Type	额定功率 kW Rated Power	额定电流 A Rated Current	转速 r/min Speed	效率 % Efficiency	功率 因数 cos φ Power Factor	最大转矩	堵转转矩	堵转电流	J(电机) kg·m ² J(Motor)	J(负载) kg·m ² J(Load)	质量 kg Mass
						额定转矩 N·m Rated torque	额定转矩 Locked-rated torque Rated torque	额定电流 Locked-rated current Rated current			
YKK10007-8	3550	256.3	745	95.2	0.84	1.8	0.6	6.5	1450	4790	
YKK10008-8	4000	288.5		95.3					1620	5242	
YKK7106-10	1120	84.9	595	94.0	0.81	1.8	0.6	6.0	319	3243	14795
YKK7107-10	1250	94.7		94.1					345	3570	15180
YKK7108-10	1400	105.9		94.2					395	3940	15630
YKK8006-10	1600	119.7	595	94.1	0.82	1.8	0.6	6.0	592	4421	18300
YKK8007-10	1800	134.5		94.2					653	4889	18800
YKK9006-10	2000	147.5	595	94.3	0.83	1.8	0.6	6.0	870	5346	
YKK9007-10	2240	165.1		94.4					980	5881	
YKK10006-10	2500	184.0	595	94.5	0.83	1.8	0.6	6.0	1280	6443	
YKK10007-10	2800	205.9		94.6					1320	7073	
YKK7106-12	800	63.3	495	93.5	0.78	1.8	0.6	6.0	315	3788	13865
YKK7107-12	900	71.2		93.6					335	4209	14825
YKK7108-12	1000	79.0		93.7					377	4624	15385
YKK8006-12	1120	91.1	495	93.4	0.76	1.8	0.6	6.0	482	5114	18000
YKK8007-12	1250	101.6		93.5					553	5635	18800
YKK9006-12	1400	112.2	495	93.6	0.77	1.8	0.6	6.0	840	6225	
YKK9007-12	1600	128.0		93.7					910	6994	
YKK9008-12	1800	143.9		93.8					1020	7746	
YKK10006-12	2000	159.7	495	93.9	0.77	1.8	0.6	6.0	1310	8481	
YKK10007-12	2240	178.7		94.0					1490	9343	
YKK10008-12	2500	199.2		94.1					1520	10254	
YKK10009-12	2800	222.9		94.2					1650	11277	
YKK7106-16	450	41.5	370	92.1	0.68	1.8	0.6	6.0	300	4573	14060
YKK7107-16	500	46.0		92.2					320	5037	14680
YKK7108-16	560	52.3		92.3					350	5588	15030
YKK7109-16	630	58.8		92.4					385	6223	15450
YKK8006-16	710	61.7	370	92.3	0.72	1.8	0.6	6.0	690	6939	18600
YKK8007-16	800	69.4		92.4					750	7733	19700



型号 Type	额定功率 kW Rated Power	额定电流 A Rated Current	转速 r/min Speed	效率 % Efficiency	功率 因数 cos φ Power Factor	最大转矩 额定转矩 Max torque Rated torque	堵转转矩 额定转矩 Locked rotor torque Rated torque	堵转电流 额定电流 Locked rotor current Rated current	J(电机) kg·m ² J(Motor)	J(负载) kg·m ² J(Load)	质量 kg Mass
YKK8008-16	900	78.0	370	92.5	0.72	1.8	0.6	6.0			
YKK8009-16	1000	86.6		92.6							
YKK9001-16	1120	95.6	370	92.7	0.73	1.8	0.6	6.0			
YKK9002-16	1250	106.5		92.8							
YKK9003-16	1400	119.5		92.9							
YKK10001-16	1600	134.2	370	93.0	0.74	1.8	0.6	6.0			
YKK10002-16	1800	150.8		93.1							
YKK10003-16	2000	167.4		93.2							

YKK系列10kV(中心高H710 ~ 1000) 三相异步电动机安装尺寸图

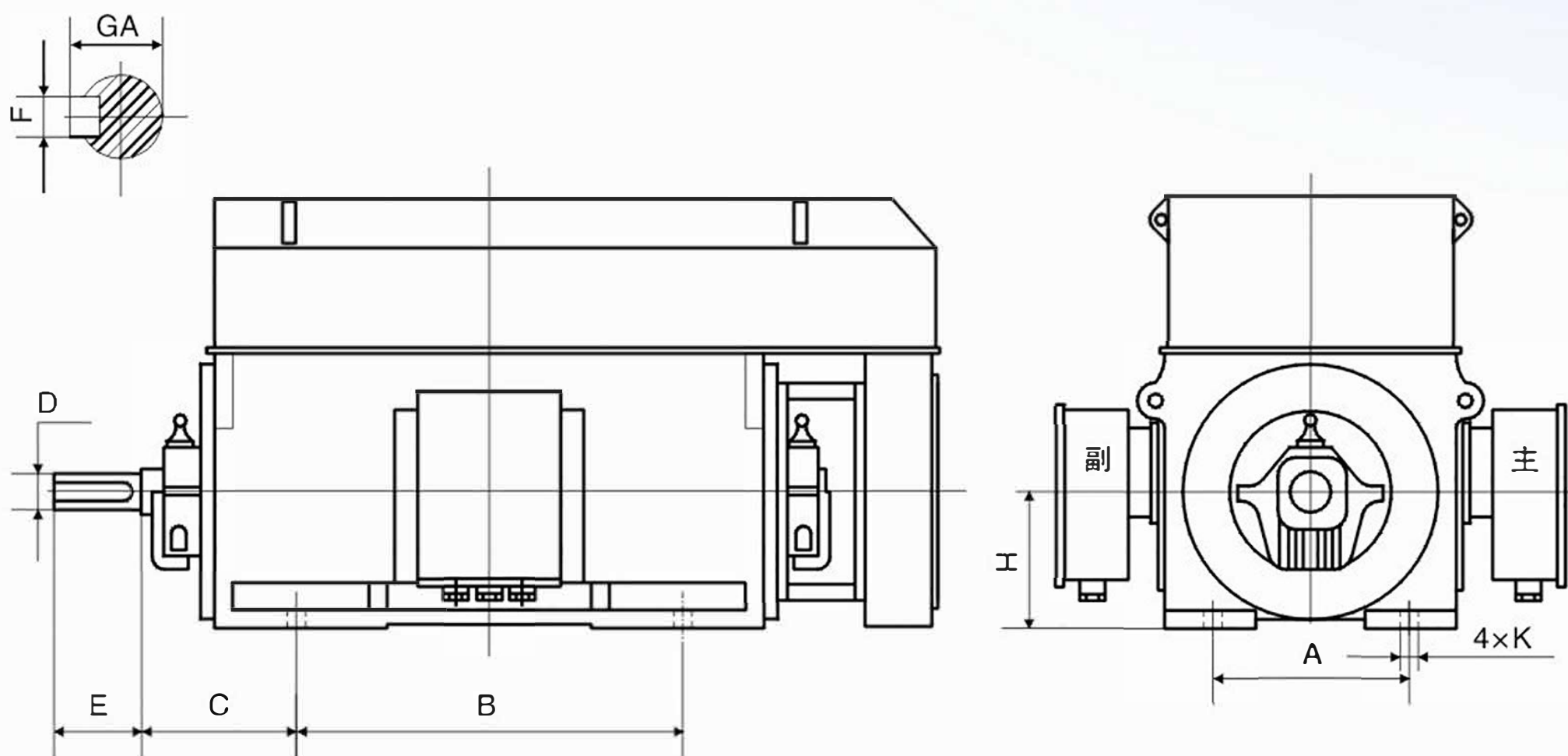


表2 (Table 2)

机座号 Frame size	电机安装尺寸及公差 Mounting Dimension And Tolerance															
	A		B		C		D		E		F		GA	H		K
	基本尺寸 Basic size	极限偏差 Deviation	基本尺寸 Basic size	极限偏差 Deviation	基本尺寸 Basic size	极限偏差 Deviation	基本尺寸 Basic size	极限偏差 Deviation	基本尺寸 Basic size	极限偏差 Deviation	基本尺寸 Basic size	极限偏差 Deviation	基本尺寸 Basic size	基本尺寸 Basic size	极限偏差 Deviation	基本尺寸 Basic size
710	1400	±2.8	1800	±2.8	530	±4.2	Φ200	+0.046	350	±0.70	45	0 -0.062	210	710	0 -1.5	Φ56
800	1600		2000				Φ220				+0.017		50			
900	1800	±3.5	2240	±3.5	600	±4.2	Φ250	+0.052 +0.020	410	±0.77	56	0 -0.074	262	900	0 -1.5	Φ66
1000	2000		2500				Φ280				470		63			

注：1. 2000kW以上电机为两个出线盒。

2. 样本数据仅供参考，如有更改恕不另行通知。

Notice: 1、there are two terminal boxes for the motors of 2000kw and above.

2、this catalogue data only for reference ,if there was any modification, forgive for not giving any notice separately.



西玛电机厂内景及部分设备



陕西利特西玛电机科技有限公司

电话：029-82513923

传真：029-82553722

邮箱：sales@chinasimo.com

中文网址：www.chinasimo.com

英文网址：www.motorsimo.com

地址：陕西省西安市未央区明光路 159 号